

1

2

3

4

5

6

A

A

B

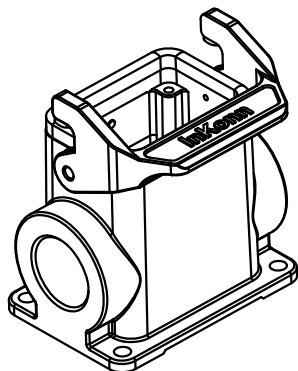
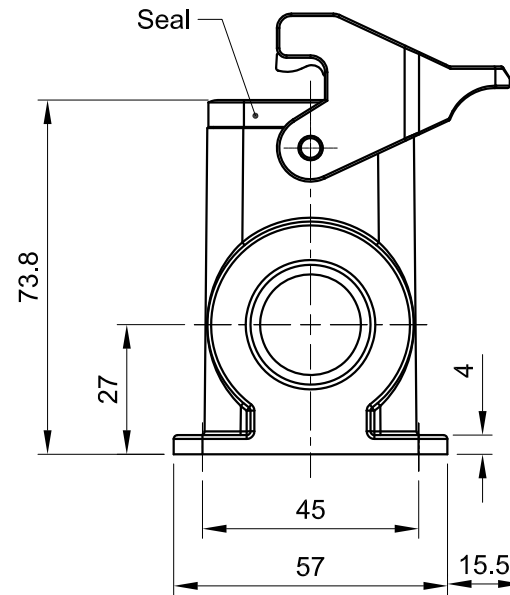
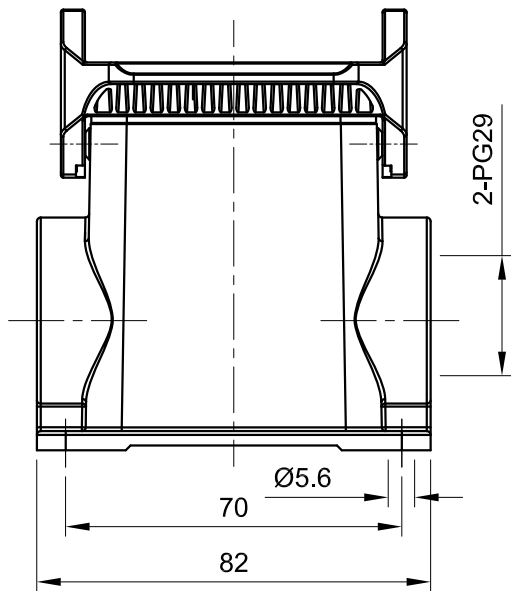
B



C

C

D

D



 InKonn (Suzhou) Electric Technology Co.,Ltd.	 All Dimensions in mm Original Size DIN A4	Date 2019-12-21	Drawing No. TC0015595	Rev. A00	Scale 1:1.5
	Type Name HB6-HSM-SL-2PG29	Part No. 10 11 806 1617	Created by Shuxu Huang	Checked by Yiyi Luo	Page 1/1

1

2

3

4

5

6